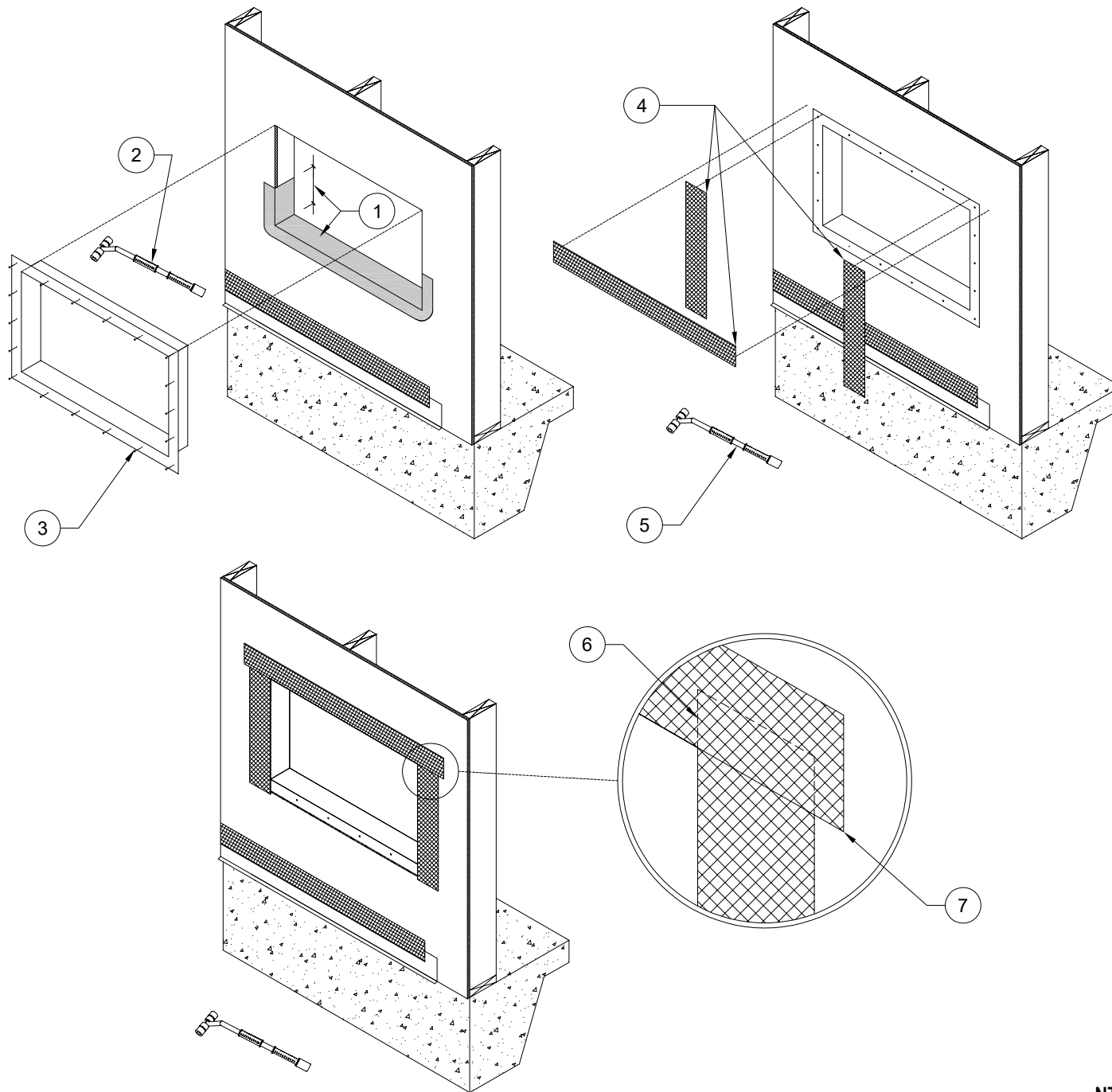


1. PTAC FLANGED HOUSING SLEEVE. INSTALL PER PTAC MANUFACTURER'S WRITTEN INSTRUCTIONS.
2. ZIP SYSTEM™ TAPE OR ADHESIVE BACKED FLASHING MEETING AAMA 711 OR AC148.
3. ZIP SYSTEM ROLLER. ROLL ALL TAPE.
4. ENSURE JAMB FLASHING DOES NOT EXTEND MORE THAN HALF WAY THROUGH THE HEAD FLASHING.
5. EXTEND THE HEAD FLASHING BEYOND THE JAMB FLASHING A MINIMUM OF 1-INCH.

NTS



1. ZIP SYSTEM® STRETCH TAPE. TO BE INSTALLED 6-INCHES UP THE JAMBS.
2. ZIP SYSTEM ROLLER. ROLL ALL TAPE.
3. PTAC FLANGED HOUSING SLEEVE. INSTALL PER PTAC MANUFACTURER'S WRITTEN INSTRUCTIONS.
4. ZIP SYSTEM™ TAPE OR ADHESIVE BACKED FLASHING MEETING AAMA 711 OR AC148.
5. ZIP SYSTEM ROLLER. ROLL ALL TAPE.
6. ENSURE JAMB FLASHING DOES NOT EXTEND MORE THAN HALF WAY THROUGH THE HEAD FLASHING.
7. EXTEND THE HEAD FLASHING BEYOND THE JAMB FLASHING A MINIMUM OF 1-INCH.

NTS